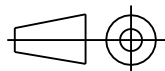
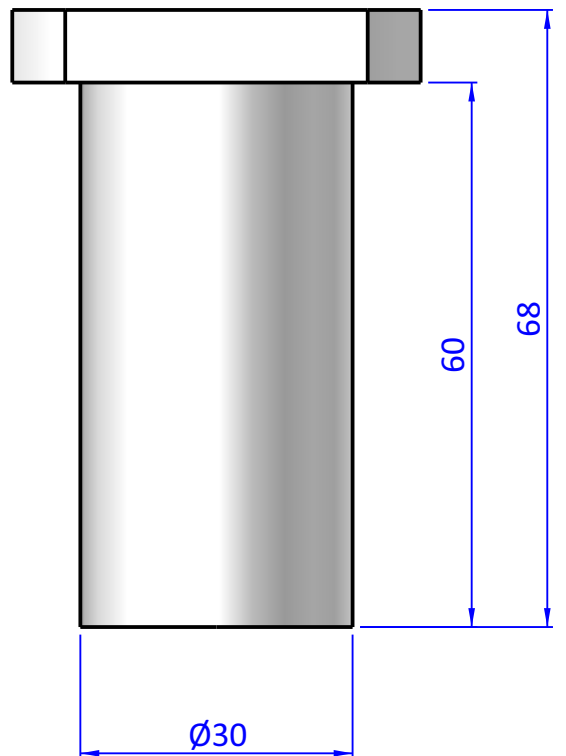
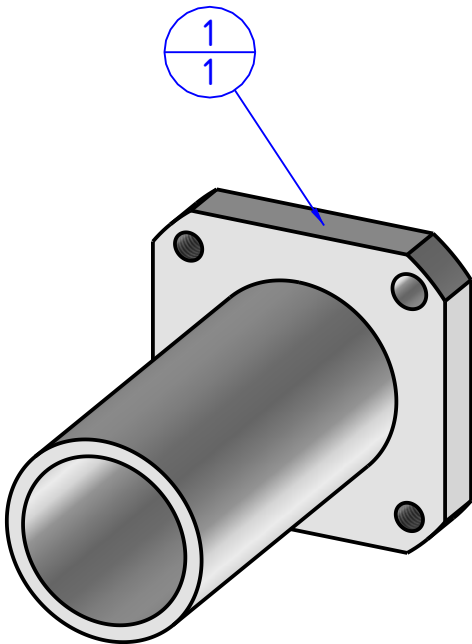
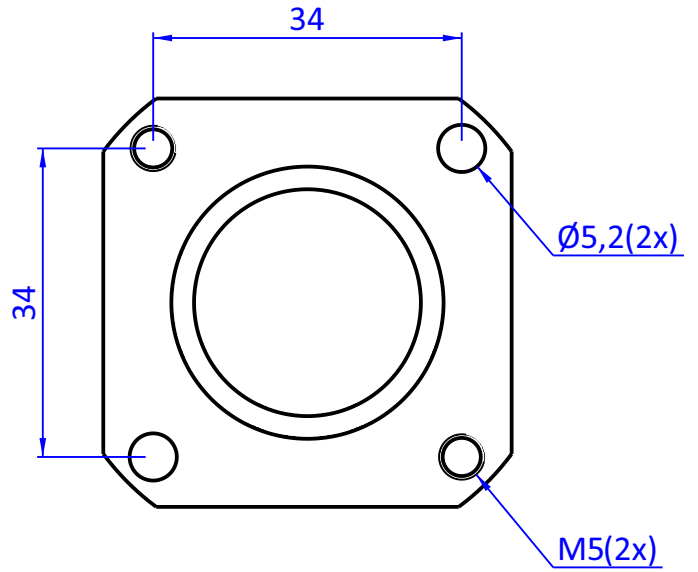


THE PROPERTY OF THE DRAWING IS ESTABLISHED BY LAW. IT IS FORBIDDEN TO PRODUCE OR SHOW IT TO THIRD PART. WITHOUT A WRITTEN AGREEMENT.

Item	Name	Q.ty
1	ADZ.32.30	1



DESIGNED FROM	FPS Automation	REVIEW	A
---------------	----------------	--------	---

DATE	29/05/2023	WEIGHT	0,066kg
------	------------	--------	---------

CODE	CA.ADZ.32.30
------	--------------

Format A4
UNI 936-76

GENERAL TOLERANCE
UNI - ISO 2768
CLASSE f

DESCRIPTION
CA.ADZ.32.30